

NVR2000 Series

Enterprise Megapixel RAID NVR



- Optimized for Megapixel Video Recording
- Maximum 64CH Megapixel Video Recording
- Expandable to 160TB
- Hardware RAID Subsystem
- Data Protection, RAID 5, 6
- Built-in Surveon Enterprise VMS
- Installation & Integration Free
- 3 Year Warranty



Network Video Recorder

VMS Specifications

Live View	<ul style="list-style-type: none"> • Real-time network camera discovery • Versatile views of various screen divisions • HTML and image overlays • Multiple views supported • View patrolling for single or multiple views • Real time video/event alarm display • Instant playback • Video clip bookmarking
eMAP	<ul style="list-style-type: none"> • Drag-n-drop camera manipulation • Directional camera display • Hierarchical map structure • Real time event alert • Instant live video of camera • Multiple maps supported
PTZ	<ul style="list-style-type: none"> • Pan, tilt, zoom operations (dependent of camera) • Built-in, floating PTZ control panel • Preset position (dependent of camera) • Scheduled or continuous camera patrolling • Event-driven camera patrolling
Investigation	<ul style="list-style-type: none"> • Search by date, time, camera • Search by pre-defined recent time • Search by VI event combinations • Search over multiple days • Search over multiple cameras • Video clip bookmarking and commenting • Search via built-in VI analyzer • Customizable bookmark • Intuitive, video thumbnail search results • Cue-in, cue-out and repeat • Quick playback by video thumbnail • 1/8, 1/4, 1/2, 1x, 2x, 4x, 8x play, pause, stop • AVI-formated video clip export • 4-channel synchronized playback*
Instant Playback	<ul style="list-style-type: none"> • Supported in video alarm, event alarm, view functions • Pre-defined playback durations • Video clip bookmarking
Video Intelligence	<ul style="list-style-type: none"> • General motion detection • Missing object detection • Foreign object detection • Intrusion detection • Forbidden area detection • Tampering detection • Virtual fence* • Object counting*

Recording Policy	<ul style="list-style-type: none"> • Continuous recording • Manual recording • Scheduled recording on daily or weekday basis • Event-driven recording along with rules • Pre-alarm recording up to 45 minutes • Post alarm recording up to 45 minutes
Rule Manager	<ul style="list-style-type: none"> • Conditional recording/alert/notification • Email, FTP, SMS, phone notifications • Sound, alarm, round-the-clock alerts
Remote Management	Full functional operation & management via standalone VMS Client
3rd Party IPCAM	ACTi, AXIS, SONY, VIVOTEK, Arecont Vision, HIKVISION, IQinVision, MOBOTIX, Panasonic, Asoni, AVTECH, D-Link, SAMSUNG
General & Misc	<ul style="list-style-type: none"> • Video codec: H.264, MPEG4, MJPEG • Image enhancement • Video privacy mask • Digital zoom in, zoom out • Log viewer • Windows lockup • Client auto login • Digital I/O management • Automatic storage recycling • Client-server architecture • Guaranteed performance of long period recording • Supports up to 64 channels megapixel recording • Configurable video retention period • Built-in RAID storage management • Digital watermark proofing* • Language supported: English, French, German, Portuguese, Spanish, Simple Chinese, Traditional Chinese

* Available soon

* All specifications are subject to change without notice.
 * All brand names and registered trademarks are the property of their respective owners.

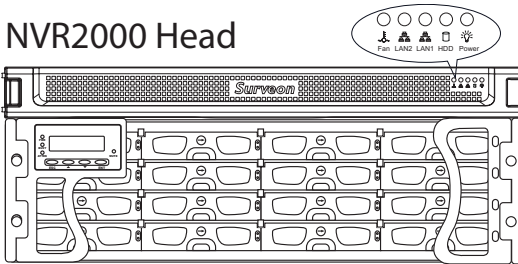
NVR2000 Series

Enterprise Megapixel RAID NVR

Functions

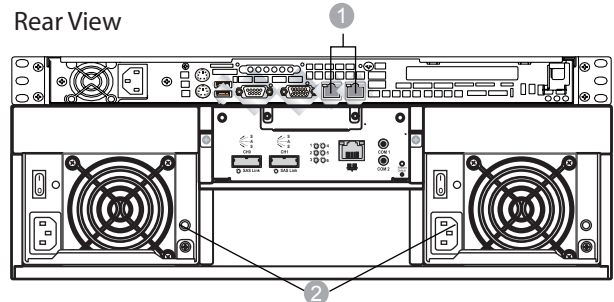
Front View

NVR2000 Head



RAID Subsystem

Rear View



- ① 2 x Ethernet Port
- ② Redundant Power Supply & Redundant Thermal Fan

Package Content (NVR2000 Head)

Contents	Quantity
NVR2000 Series Network Video Recorder	1
Client Installation CD/DVD	1
Quick Installation Guide	1
Slide Rails	2
Slide Bracket	2
Cable Tie	2
Power Cord	2
RAID Subsystem*	1

* For more information, please refer to iVS datasheets

Ordering Information

Part Number	Description
NVR2016	16CH, 10 days recording, up to 8TB
NVR2016-12B	16CH, 30 days recording, up to 22TB, RAID5
NVR2016-16B	16CH, 40 days recording, up to 30TB, RAID5
NVR2025	25CH, 7 days recording, up to 8TB
NVR2025-12B	25CH, 20 days recording, up to 22TB, RAID5
NVR2025-24B	25CH, 40 days recording, up to 44TB, RAID5
NVR2032-12B	32CH, 15 days recording, up to 22TB, RAID5
NVR2032-24B	32CH, 30 days recording, up to 44TB, RAID5
NVR2048-12B	48CH, 10 days recording, up to 22TB, RAID5
NVR2048-16B	48CH, 14 days recording, up to 30TB, RAID5
NVR2048-24B	48CH, 20 days recording, up to 44TB, RAID5
NVR2048-36B	48CH, 30 days recording, up to 66TB, RAID5
NVR2064-12B	64CH, 7 days recording, up to 22TB, RAID5
NVR2064-24B	64CH, 15 days recording, up to 44TB, RAID5
NVR2064-48B	64CH, 30 days recording, up to 88TB, RAID5

* Recording of megapixel, bit rate=4 Mbps, 24 hr per day, based on 2TB HDD.

** HDD is not included in the above P/N.

Optional Accessories

Part Number	Description
H72A0HA2321-0030	Enterprise, 1TB SATA HDD
H72A1HA2321-0030	Enterprise, 2TB SATA HDD
H72A0HA2161-0030	Desktop, 1TB SATA HDD
H72A1XA2XXD1-0010	Desktop, 2TB SATA HDD

Hardware Specifications

NVR2000 Head	
System	Client-server architecture, Chassis: 1U 19" Rack
Server Processor	Intel® Dual Core @2.5GHz
System Memory	4GB, DDR2
I/O Interface	<ul style="list-style-type: none"> • RJ-45: 2xGigabit Ethernet • SAS Expansion port
Electrical	<ul style="list-style-type: none"> • Input voltage :115 V AC @ 6 A/240 V AC @ 3 A • Frequency: 47 to 63 Hz • Power: Single 250 watt
Power Consumption	Rated output power: 300 W
Weight	Gross weight: 17.3 kg (38 lb.)
Dimensions	50.4(W)x 43.7(D)x 4.3(H) cm (19.85 " x 17.2 " x 1.7 ")
Environmental	Temperature: <ul style="list-style-type: none"> • Operating: 10 °C to 35°C (50 °F to 95 °F) • Non-operating: -40 °C to 70°C (-40 °F to 158 °F) Humidity: <ul style="list-style-type: none"> • Operating: 5 % to 95 %, non-condensing • Non-operating: 5 % to 95 % non-condensing
Certificates	FCC Class A, CE, CB, UL60959/ IEC 60950, CCC
RAID Subsystem	
Host Connectivity	1 or 2 SAS 4x wide ports per controller
Drive Connectivity	SAS/SATA-II disk, 12 or 16 drives per system, hot swappable
Form Factor	2~3U, 19 inch rackmount
RAID Functionality	RAID 0, 1 (0+1), 3, 5, 6, 10, 30, 50, 60, hot-spare, online expansion, RAID migration, intelligent drive handling
Environmental	Operating temperature: 5° to 40°C (35°C if battery is applied) Non-operating temperature: - 40° to 60°C Humidity: 5 to 95%, non-condensing
Dimensions	12 Bay: chassis without handles: 446(W) x 88(H) x 490(D) mm; chassis with handles: 482 (W) x 88(H) x 505(D) mm 16 Bay: chassis without handles: 445(W) x 130(H) x 488.2(D) mm; chassis with handles: 482.6(W) x 131(H) x 504.3(D) mm
Weight	Gross weight : 12 Bay:25kg ; 16 Bay: 30.5kg
Certification	CE, FCC Class B, BSMI, UL, GOST-R (dependent of iVS model)

* For more information, please refer to iVS datasheets